

CANBERRA 4G

Spare Parts

Ersatzteil-Liste

| Pos. | Art. Nr. | Description | Beschreibung |
|------|------------|--------------------------------------|---|
| 1 | 18.610.20 | Lid, black | Deckel, schwarz |
| 2 | 18.600.50 | Lid handle tube, stainless steel | Griffrohr, Edelstahl |
| 3 | 18.822.50 | Logo plate | Logoplatte |
| 4 | 18.850.19 | Heat indicator °C/°F - RTG, complete | Temperatur Anzeiger °C/°F - RTG, Komplett |
| 5 | 18.850.22 | Heat indicator-Nut - RTG | Temperaturanzeiger-Befestigungsmutter - RTG |
| 6 | 18.600.01 | Warming grid | Warmhalte-Rost |
| 7 | 18.600.02 | Cooking grid | Grillrost |
| 8 | 18.600.16 | Cast Iron plate | Grillplatte |
| 9 | 18.612.34 | Flame bridge RTG | Flammenbrücke RTG |
| 10 | 18.600.49 | Flame protection | Flammenschutz |
| 11 | 18.612.29 | Burner | Brenner |
| 12 | 18.600.78 | Control panel, black | Bedienungskonsole, schwarz |
| 13 | 18.612.42 | Valve Assembly 4B 30mbar | Ventilsatz 4B 30mbar |
| 13 | 18.612.43 | Valve Assembly 4B 50mbar | Ventilsatz 4B 50mbar |
| 14 | 18.614.01 | Control knob | Gasregulier-Knopf |
| 15 | 18.614.03 | Gas knob frame main burner | Rahmen für Gasregulier-Knopf Hauptbrenner |
| 16 | 18.612.01 | Piezo electrode | Piezo-Elektrode |
| 17 | 18.340.12 | Ignition wire long | Zündkabel lang |
| 18 | 18.612.21 | Ignition wire medium | Zündkabel medium |
| 19 | 18.612.22 | Ignition wire short | Zündkabel kurz |
| 20 | 18.612.10 | Puls ignition complete | Elektrozündung Komplett |
| 21 | 18.360.22 | Push button ignitor | Druckknopf Zündung |
| 22 | 18.610.12 | BBQ base, black | Grill Gehäuse, schwarz |
| 23 | 18.600.05 | Collection sheet | Fettauffang-Blech |
| 24 | 18.320.89 | Drip pan | Fettauffang-Schale |
| 25 | 18.600.52 | Side table left black | Seitentablar links schwarz |
| 26 | 18.600.53 | Side table right black | Seitentablar rechts schwarz |
| 27 | 18.323.23 | Tool holder RTG | Besteck-Halter RTG |
| 28 | 18.323.24 | Towel rail RTG | Handtuch-Halter RTG |
| 29 | 18.600.54 | Leg front right / rear left, black | Bein vorne rechts / hinten links, schwarz |
| 30 | 18.600.55 | Leg front left / rear right, black | Bein vorne links / hinten rechts, schwarz |
| 31 | 18.600.09 | Bottom sheet, black | Bodenplatte, schwarz |
| 32 | 18.600.25 | Bottle fixation, black | Flaschenhalterung, schwarz |
| 33 | 18.360.14 | Bottle strap | Flaschengurt |
| 34 | 18.600.15 | Rear cabinet sheet, black | Hintere Kastenwand, schwarz |
| 35 | 18.600.56 | Door left, black | Türe links, schwarz |
| 36 | 18.600.57 | Door right, black | Türe rechts, schwarz |
| 37 | 18.600.26 | Door magnet | Türmagnet |
| 38 | 18.600.58 | Cabinet sheet left, black | Kastenwand links, schwarz |
| 39 | 18.600.75 | Cabinet sheet right, black | Kastenwand rechts, schwarz |
| 40 | 18.600.20 | Door frame | Türrahmen |
| 41 | 18.600.21 | Cabinet shelf | Kastentablar |
| 42 | 18.614.02 | Caster with brake | Rad mit Bremse |
| 43 | 18.323.14 | Door handle | Türgriff |
| 43 | 18.378.96 | Hardware set | Schrauben-Set |
| 44 | individual | Gas hose | Gasschlauch |
| 45 | individual | Gas regulator | Gasdruck-Regler |

Attention

Please write your serial number on the backside of the manual for future reference. You will find the number on the data plate attached to the trolley or the bottom plate depending on the grill model. OUTDOORCHEF can only supply spare parts and honour warranty returns when the serial number is available.

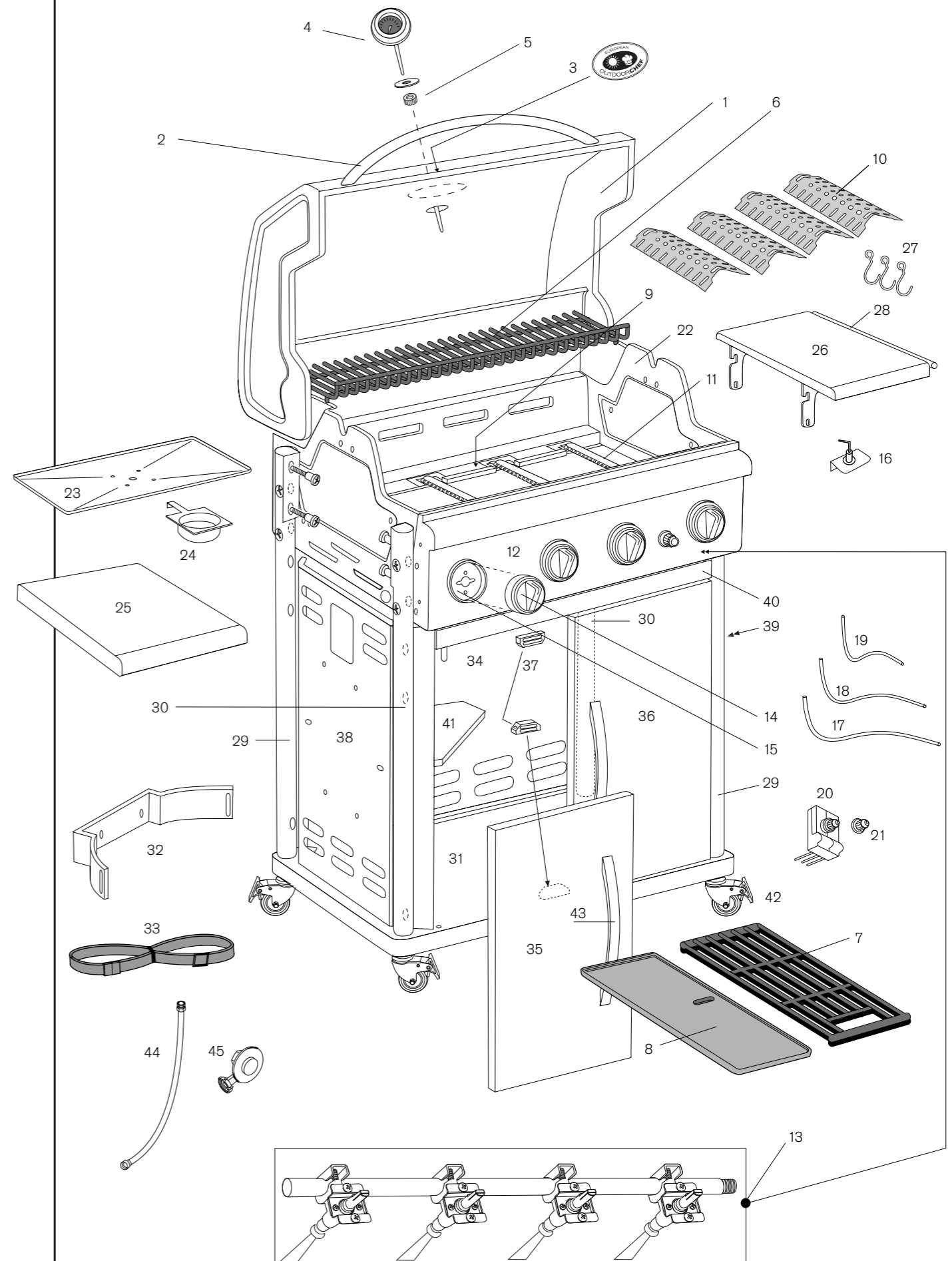
www.outdoorchef.com

Achtung

Bitte notieren Sie auf der Rückseite Ihrer Gebrauchsanweisung die Serien-Nummer. Je nach Grillmodell finden Sie die Nummer auf dem Datensticker, welcher sich entweder am Grillgestell oder auf der Bodenplatte befindet. OUTDOORCHEF kann Garantie und Ersatzteillieferungen nur mit der Serien-Nummer bearbeiten.

DKB Household Switzerland AG operates a policy of continuous product development and improvement. As such we reserve the right to alter product design and or technical specification without giving any prior notice.

CANBERRA 4G



CANBERRA 4G

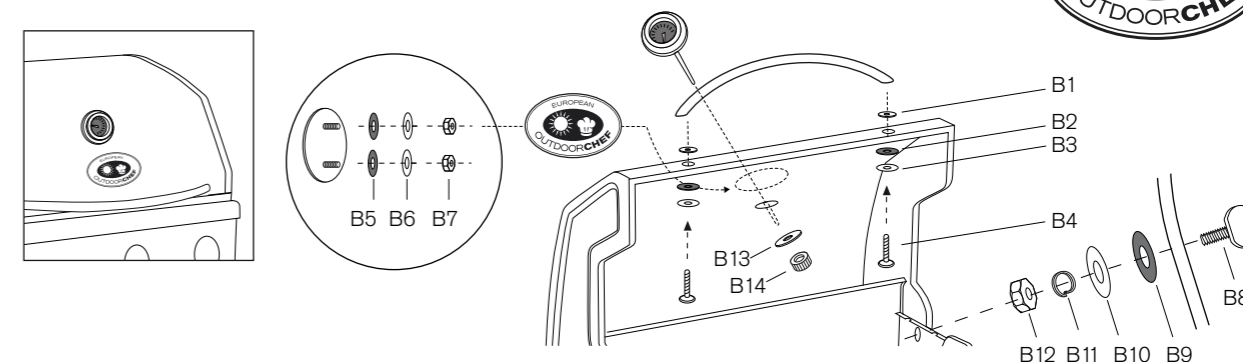
| B | Lid | | Deckel |
|------|-----------|------------------------------|------------------------------------|
| Pos. | Art. Nr. | Description | Beschreibung |
| B1 | 18.370.95 | Protection washer lid handle | Schutz-Unterlagscheibe Deckelgriff |
| B2 | 18.370.76 | Teflonwasher | U-Scheibe Teflon |
| B3 | 18.371.08 | Screw-cup-washer | Schrauben-Schalen-Unterlagscheibe |
| B4 | 18.370.04 | Screw | Schraube |
| B5 | 18.371.03 | Teflonwasher | U-Scheibe Teflon |
| B6 | 18.371.02 | Washer | U-Scheibe |
| B7 | 18.370.48 | Nut | Mutter |
| B8 | 18.371.22 | Lid screw axis | Deckelachsenschraube |
| B9 | 18.370.76 | Teflonwasher | U-Scheibe Teflon |
| B10 | 18.370.62 | Washer | U-Scheibe |
| B11 | 18.371.06 | Spring washer | Federring |
| B12 | 18.370.43 | Nut | Mutter |
| B13 | 18.370.66 | Washer | U-Scheibe |
| B14 | 18.850.22 | Nut | Mutter |

| D | Piezo electrode & Burner fixation | | Piezo-Elektrode & Brenner Befestigung |
|------|-----------------------------------|-------------|---------------------------------------|
| Pos. | Art. Nr. | Description | Beschreibung |
| D1 | 18.370.32 | Screw | Schraube |
| D2 | 18.371.09 | Locking pin | Sicherungsstift |

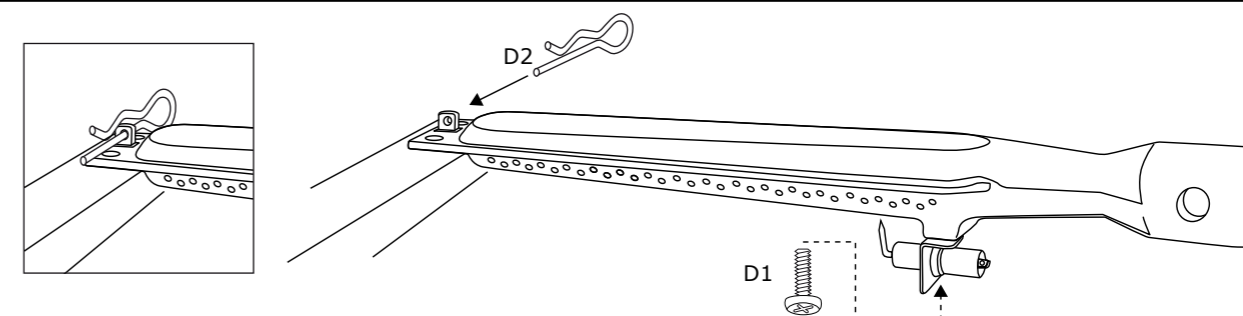
CANBERRA 4G

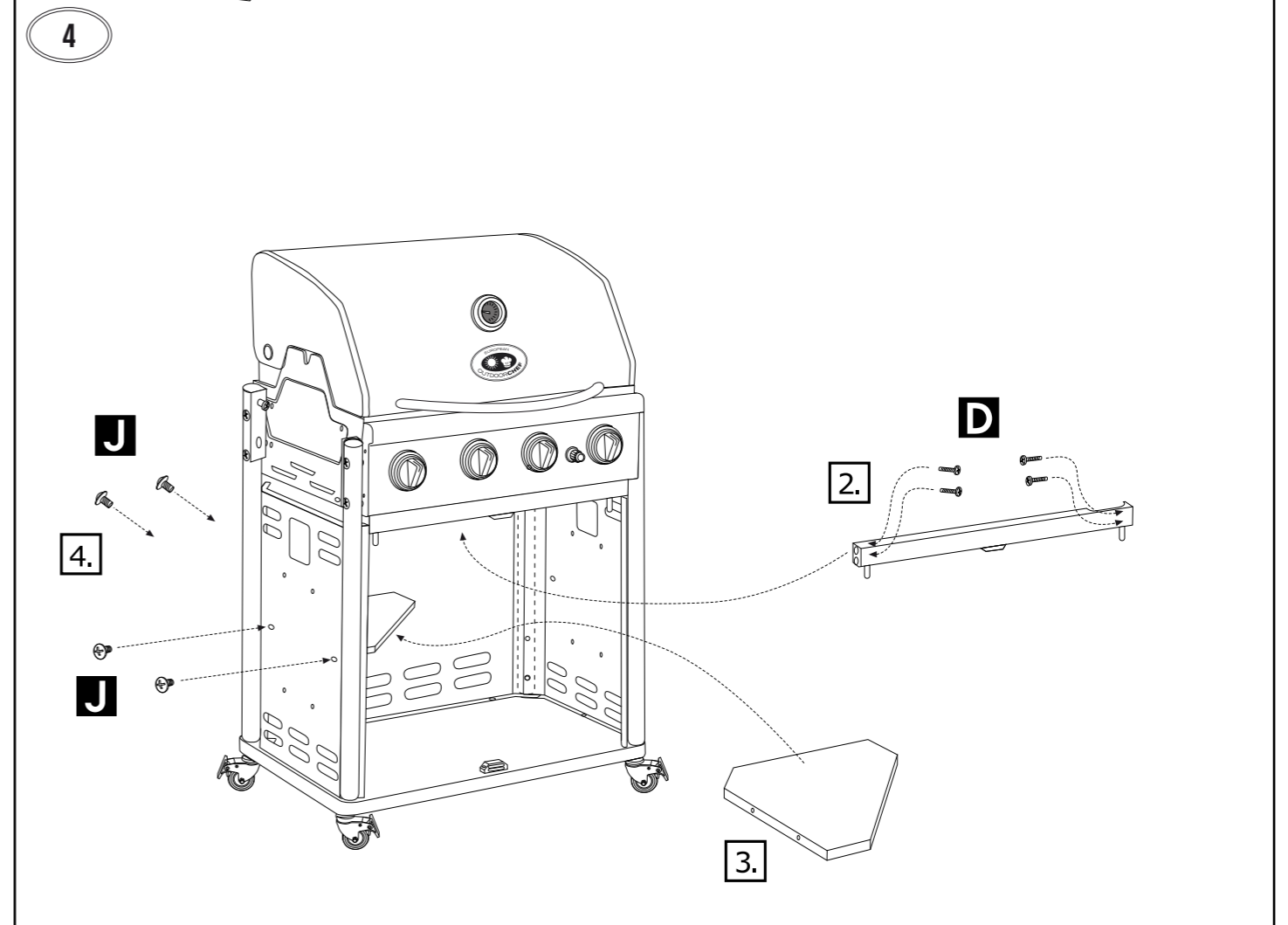
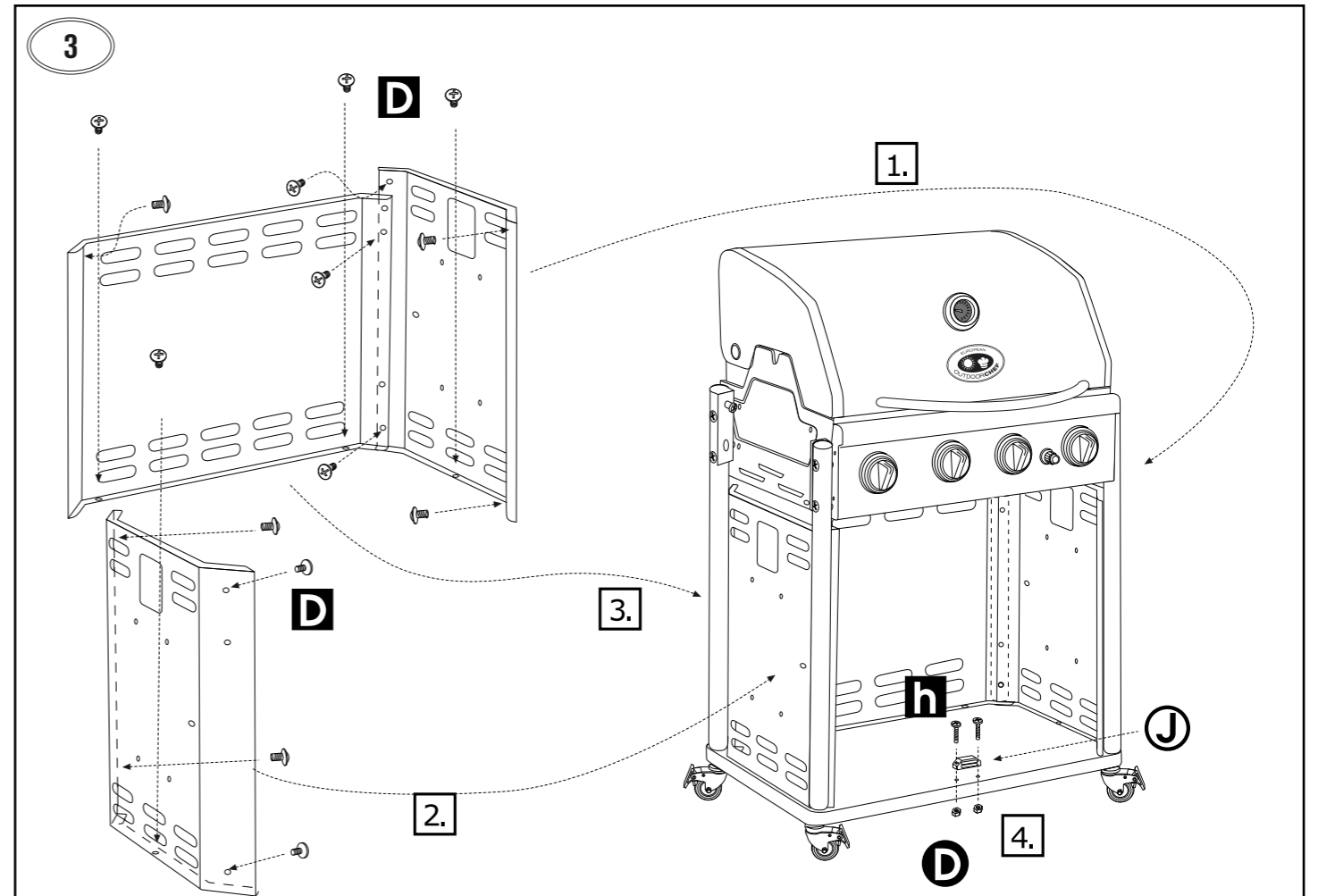
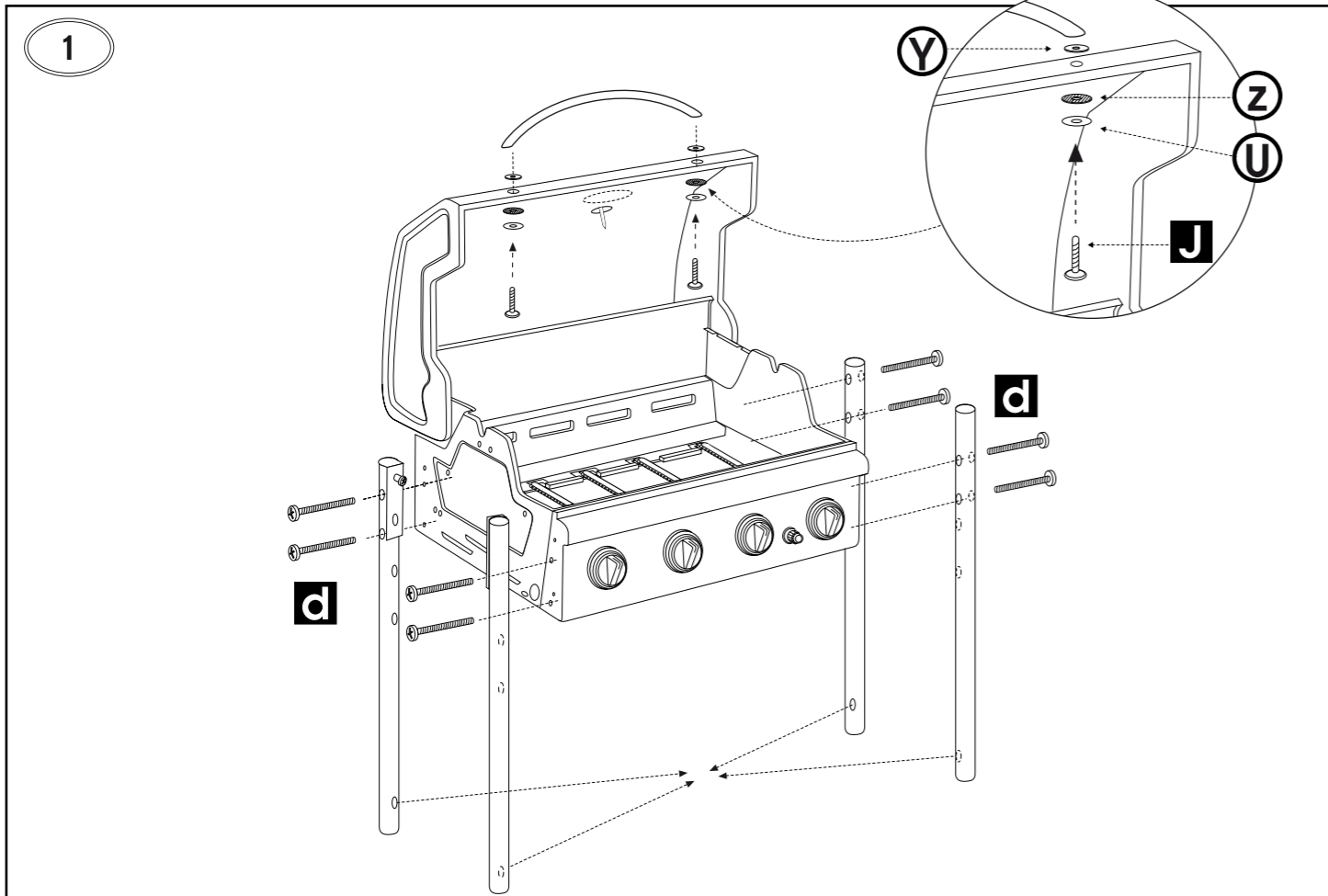


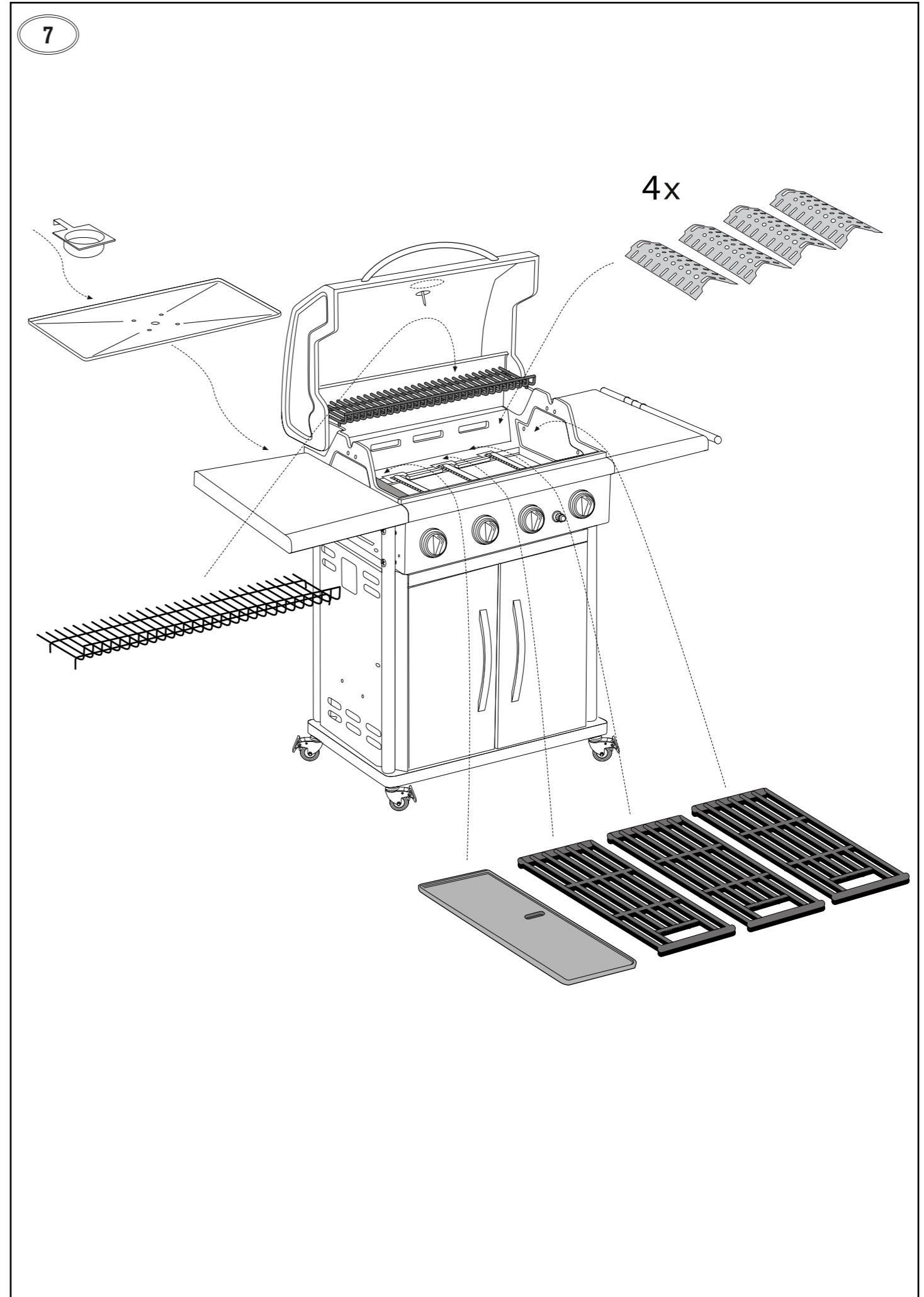
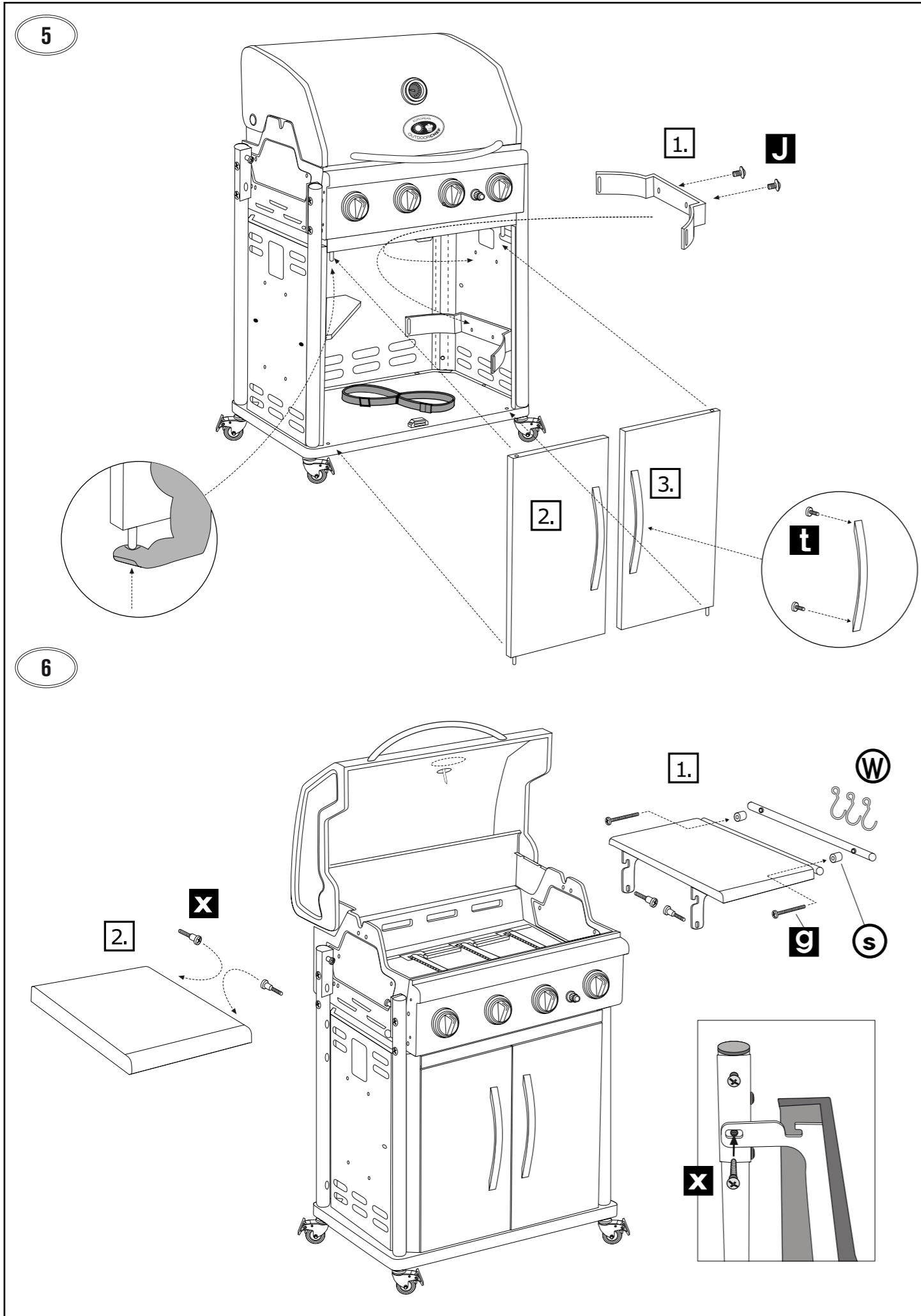
B

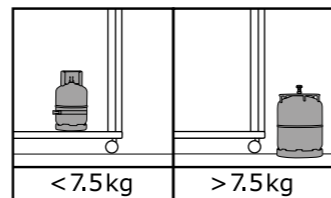
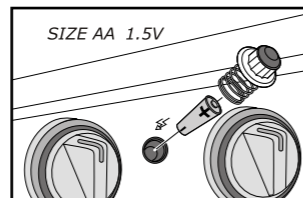
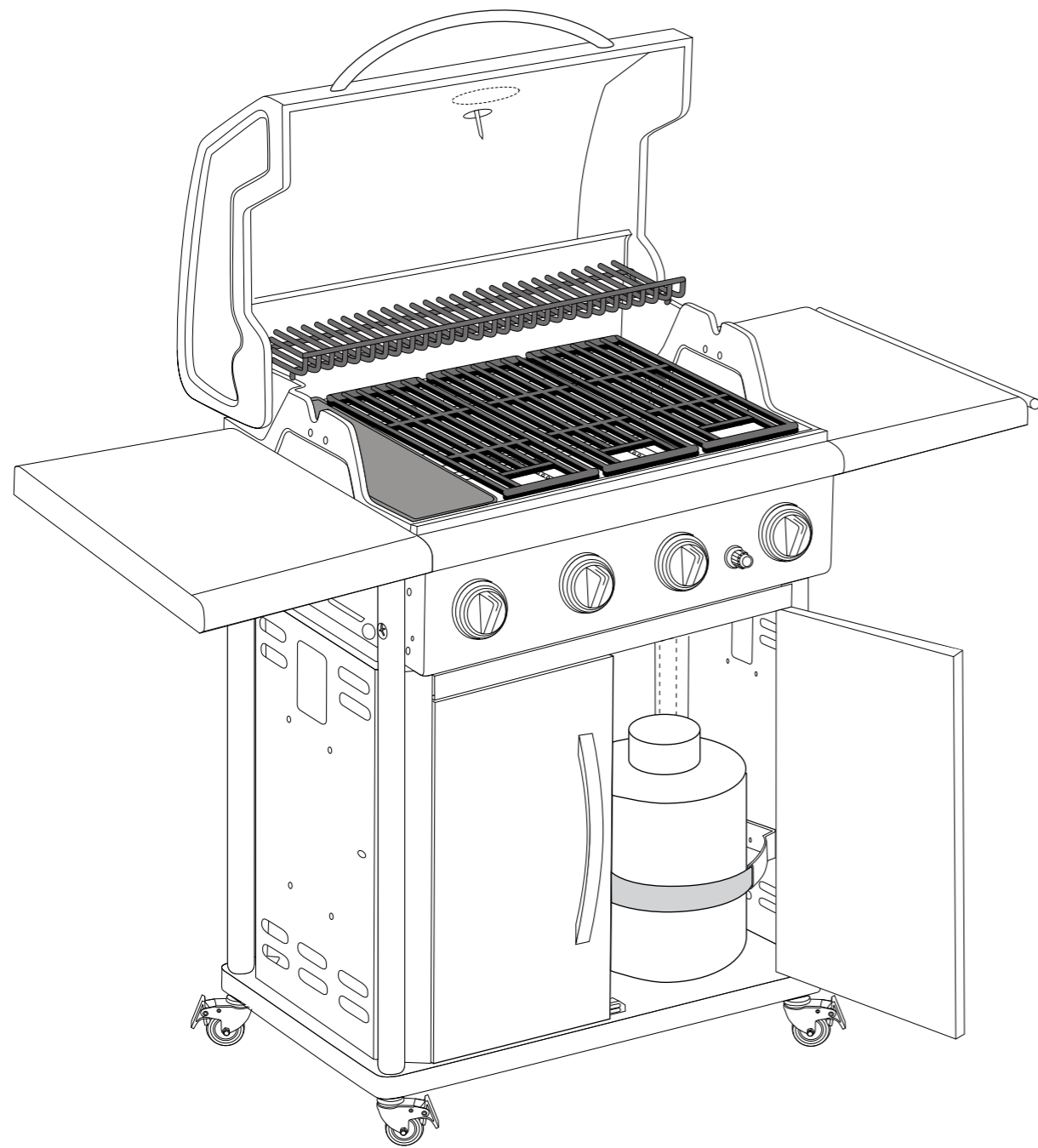


D






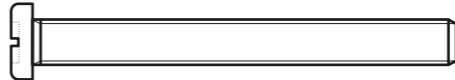

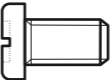
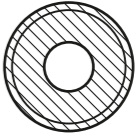
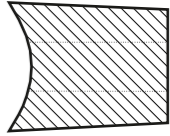

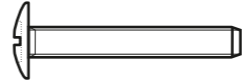


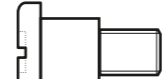
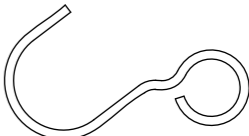


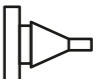


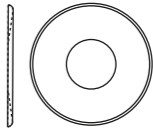


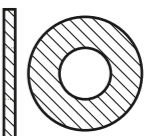


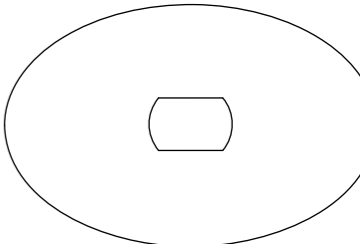




CANBERRA 4G



18.378.96

- 8x **d**  
(18.370.20)
- 8x **J**   2x **S**  
(18.370.04) (18.370.96)
- 2x **g**   1x **J** 
(18.370.38) (18.370.82)
- 8x **X**   3x **W** 
(18.370.17) (18.323.23)
- 18x **D**   4x **G** 
(18.370.01) (18.370.80)
Protection Pin reserve
- 2x **h**   2x **U** 
(18.370.22) (18.371.08)
- 2x **D**   2x **Z** 
(18.370.41) (18.370.76)
- 4x **t**   2x **Y** 
(18.370.32) (18.370.95)

